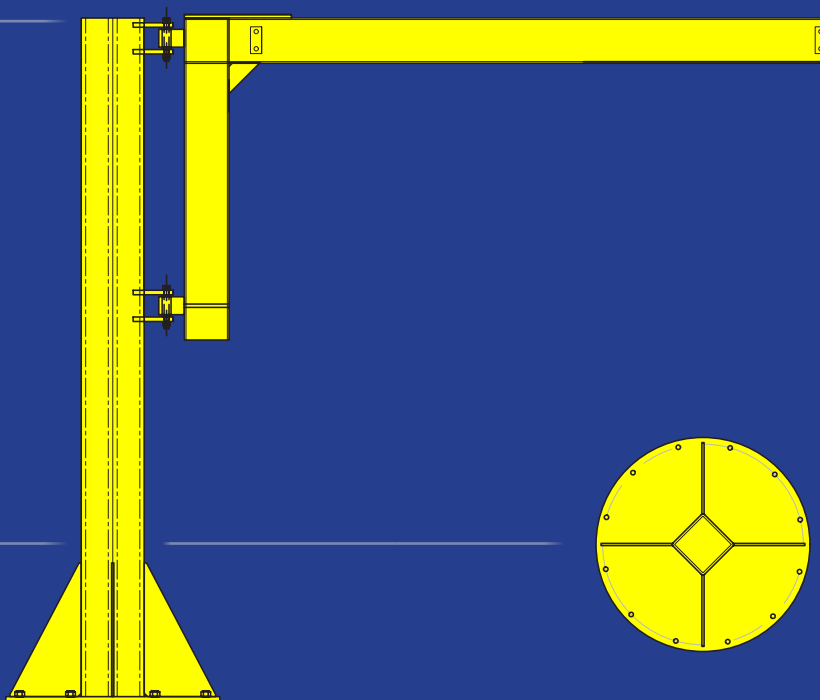
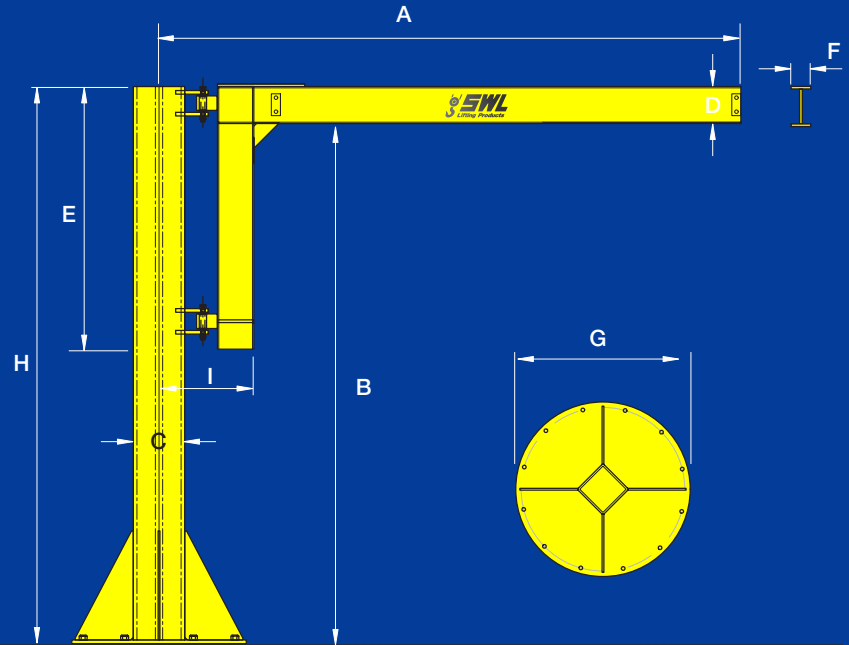




Jib Crane Model UJ270

Free Standing





Specifications

Model	Span A	Under B	Capacity [tons]	C	D	E	F	G	H
UJ270-500-08-08	8'	8'	¼ Ton	7"	6"	42"	3 ½"	40"	104"
UJ270-500-08-10	10'	8'		7"	6"	42"	3 ½"	42"	104"
UJ270-500-08-12	12'	8'		7"	6"	42"	3 ½"	44"	104"
UJ270-500-08-14	14'	8'		7"	6"	42"	3 ½"	48"	104"
UJ270-500-10-08	8'	10'		8 ½"	6"	42"	3 ½"	40"	128"
UJ270-500-10-10	10'	10'		8 ½"	6"	42"	3 ½"	42"	128"
UJ270-500-10-12	12'	10'		8 ½"	6"	42"	3 ½"	44"	128"
UJ270-500-10-14	14'	10'		8 ½"	6"	42"	3 ½"	48"	128"
UJ270-500-12-08	8'	12'		8 ½"	6"	42"	3 ½"	40"	152"
UJ270-500-12-10	10'	12'		8 ½"	6"	42"	3 ½"	42"	152"
UJ270-500-12-12	12'	12'		8 ½"	6"	42"	3 ½"	44"	152"
UJ270-500-12-14	14'	12'		8 ½"	6"	42"	3 ½"	48"	152"
UJ270-1000-08-08	8'	8'	½ Ton	8 ½"	8"	44"	41"	40"	106"
UJ270-1000-08-10	10'	8'		8 ½"	8"	44"	41"	42"	106"
UJ270-1000-08-12	12'	8'		11 "	8"	44"	41"	44"	106"
UJ270-1000-08-14	14'	8'		11 "	8"	44"	41"	48"	106"
UJ270-1000-10-08	8'	10'		8 ½"	8"	44"	41"	40"	130"
UJ270-1000-10-10	10'	10'		8 ½"	8"	44"	41"	42"	130"
UJ270-1000-10-12	12'	10'		11 "	8"	44"	41"	44"	130"
UJ270-1000-10-14	14'	10'		11 "	8"	56"	41"	48"	130"
UJ270-1000-12-08	8'	12'		11 "	8"	44"	41"	40"	154"
UJ270-1000-12-10	10'	12'		11 "	8"	44"	41"	42"	154"
UJ270-1000-12-12	12'	12'		11 "	8"	44"	41"	44"	154"
UJ270-1000-12-14	14'	12'		11 "	8"	56"	41"	48"	154"

Continued on next page →

Jib Crane Free Standing

Specifications (cont.)

Model	Span A	Under B	Capacity [tons]	C	D	E	F	G	H
UJ270-2000-08-08	8'	8'	1 Ton	11 "	8"	56"	4"	40"	106"
UJ270-2000-08-10	10'	8'		14 "	8"	68"	4"	42"	106"
UJ270-2000-08-12	12'	8'		14 "	8"	68"	4"	44"	106"
UJ270-2000-08-14	14'	8'		14 "	10"	70"	4"	48"	106"
UJ270-2000-10-08	8'	10'		14 "	8"	68"	4"	40"	130"
UJ270-2000-10-10	10'	10'		14 "	8"	68"	4"	42"	130"
UJ270-2000-10-12	12'	10'		14 "	10"	70"	4"	44"	130"
UJ270-2000-10-14	14'	10'		14 "	10"	70"	4"	48"	130"
UJ270-2000-12-08	8'	12'		14 "	8"	68"	4"	40"	154"
UJ270-2000-12-10	10'	12'		14 "	8"	68"	4"	42"	154"
UJ270-2000-12-12	12'	12'		14 "	10"	70"	4 "	44"	154"
UJ270-2000-12-14	14'	12'		14 "	10"	70"	4 "	48"	154"

Notes:

Dimensions may be subject to change based on material available at time of order

Our Jib Cranes have been pre-engineered with a 15% impact allowance for electric hoist and designed to be load tested at 125% at L over 300. If installed correctly onto a concrete floor with a minimum thickness of 6" with strength of 3,000 PSI using a 2-part epoxy anchors system and under the supervision of a "Professional Engineer", no foundation is required. This procedure should definitely be confirmed by an engineer in your State or Province.

All welding has been done by "The Dressor Group Ltd." a CSA W59 Certified Company Certified to CSA W47.1.



Distributed by:

